

ExiSAFE Panic Devices

CE853PL

ExiSAFE Panic Latch



ASSA ABLOY

Application:

A push bar surface mounted panic latch device for use on single doors or as a part of a double door solution.

- Ideal for final exit escape doors used by general public
- Install to push face of outward opening doors
- Non-handed for maximum flexibility
- Compatible with knob and lever CE8550AD outside access devices

Specification:

- Proud to be "Made in Britain"
- CE Marked to EN 1125
- Certifire approved
- Can be used on timber fire doors (up to FD120) or metal fire doors up to (FD240) up to 1200mm x 2440mm tall
- Push bar can be cut to size on site to fit each door
- Latch bolt can easily be reversed on site
- Alternative keeps and range of spares available
- Complete with "Push bar to open" signage
- Install screws concealed by UNION branded label and push bar
- Completed 200,000 cycles in durability testing
- 96 hours corrosion resistance
- Slim line design projects less than 100mm from door face
- 10 year guarantee



Standards:

CE Marked to BS EN 1125

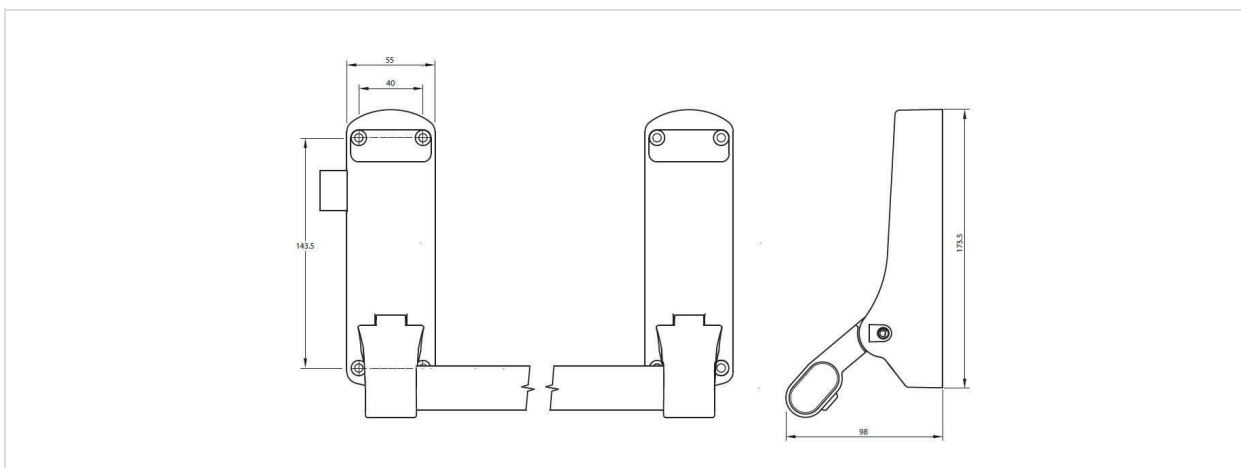
3	7	6	B	1	3	2	2	A	A
---	---	---	---	---	---	---	---	---	---

Finish:

- Silver as standard
- Potential to supply other colours – please ask for details of range and MOQ



Technical Design:



ExiSAFE Panic Devices

CE853PL

ExiSAFE Panic Latch



ASSA ABLOY

Variants:

Code	Description
J-CE853PL-SIL	EXISAFE PANIC LATCH DEVICE, SILVER FINISH
J-CE853PLM-SIL	EXISAFE PANIC LATCH DEVICE, METAL FIXINGS, SILVER FINISH