

DC300 Tandem

Tandem door closer with rack and pinion technology and link arm

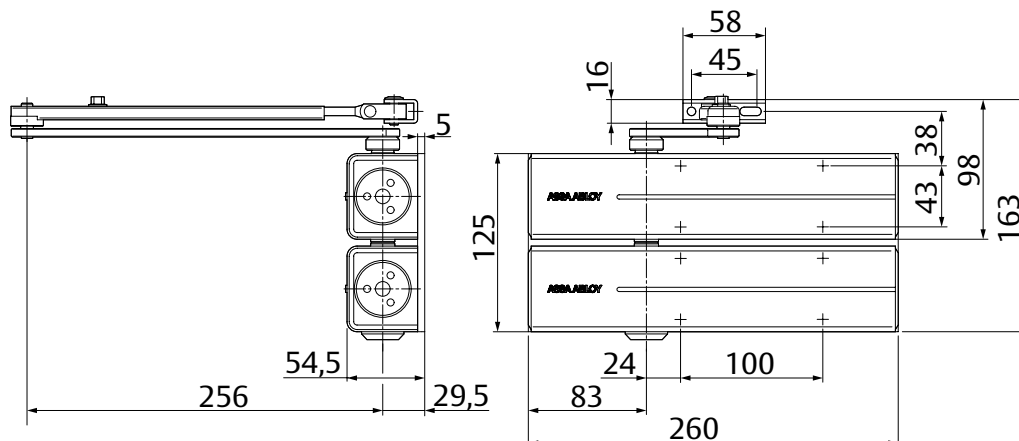


ASSA ABLOY DC300 Tandem

- Rack and pinion closer with link arm L190
- Two door closers are interlinked for extra wide and heavy doors
- Double closing torque of DC300, EN size > 7
- For single action doors up to 1800 mm wide
- Suitable for fire and smoke protection doors

Characteristics of DC300 Tandem

- Tandem mounting plate A121 generally required
- Can be used for left and right-handed doors
- Can only be used with a link arm
- Axis height-adjustable up to 14 mm
- Closing speed, latching speed and backcheck adjustable via front facing regulating valves
- Thermodynamic valves for consistent performance
- Variable adjustable closing force
- Opening angle up to 180°
- Effective backcheck and latching speed range adjustable
- Large range of applications
- Standard colours: silver EV1



DC300 Tandem

Technical attributes

Closing force	EN >7 (2 x DC300)
Suitable for fire doors	Yes
Door width up to	1800 mm
Handing	Left / right handed
Closing speed	Variable between 180°-15°
Latching speed	Variable between 15°-0°
Backcheck	Variable above 75°
Hold-open mode	E.g. for external holding magnet
Weight	4.8 kg
Height	125 mm
Depth	55 mm
Length	260 mm
Certified in compliance with	EN 1154 (DC300)
CE marking for building products	Yes (DC300)

The advantages at a glance

Project planners	- Extensive range of uses, also for extra large and heavy doors
Builders	- One drilling template overall - Standard door closers DC300 can be used with tandem mounting plates - Quick and easy installation - Quickly and easily adjustable - Suitable for left and right handed doors, in both door and frame mounted applications - Easily retrofitted with minimal rework
Trade	- Reduced inventory costs due to modular product range
User	- No reworking of door element for upgrade to tandem

Our service for you: here you can see the individual advantages of our door closer models for your respective field of business.

You can find the complete specification on the internet at: www.assaabloy.co.za

Specifications for DC300 Tandem

ASSA ABLOY Door Closer DC300 Tandem with link arm

- Closing power continuously adjustable, EN size >7, for doors up to 1,800 mm wide
- Closing speed, latching speed and backcheck adjustable via front facing regulating valves
- Can be used with mounting plate for fire and smoke protection doors
- 14 mm height adjustable arm system for ease of fitting
- Suitable for left and right handed doors

Accessories:

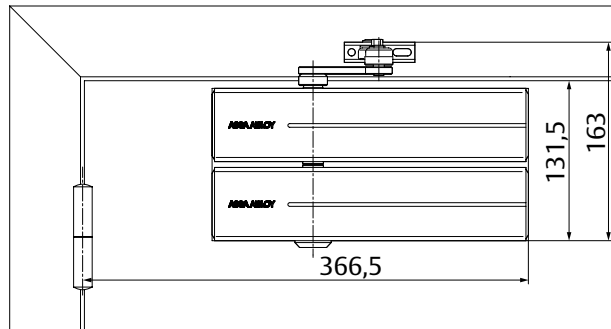
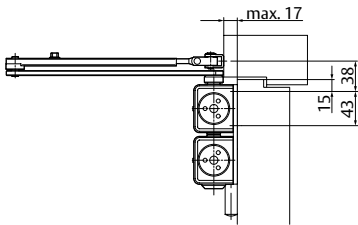
- 2 pieces DC300
- 1 piece mounting plates A121 (One piece of accessory pack contains mounting plate A121, extra long spindle and screw pack)
- 1 piece link arm L190

Colour:

- Silver EV1

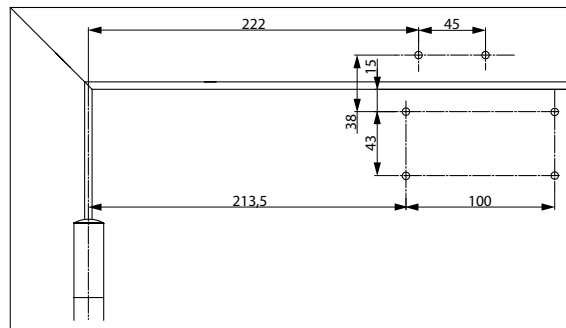
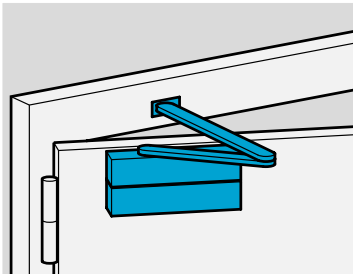
DC300 Tandem

Dimensional drawings



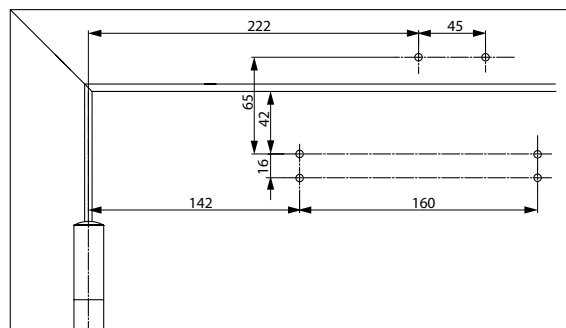
Required space on doors

Left handed shown in diagram
Right handed is the reverse



Installation dimensions for direct mounting

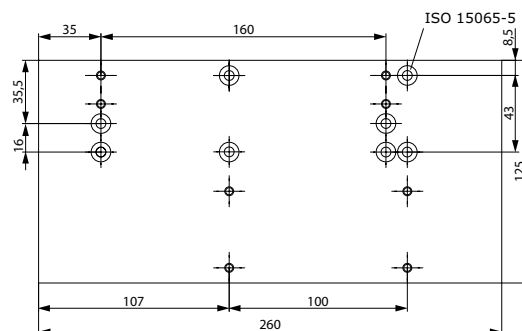
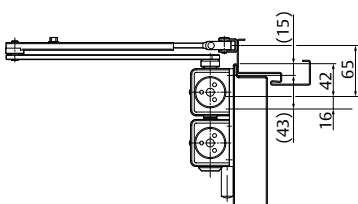
Left handed shown in diagram
Right handed is the reverse



Installation dimensions

In compliance with EN 1154, Supplement 1, or for doors where direct mounting is not possible.

Left handed shown in diagram
Right handed is the reverse



Mounting plate A121

For mounting with drilling template acc. to EN 1154 Supplement 1 (fire and smoke protection doors) and for direct mounting.

*DC300, EN size 3-6, silver EV1	DC300-----DEV1-
Mounting plate A121, silver EV1	DCA121-----EV1-
Link arm L190, silver EV1	DCL190-----EV1-

*have to be ordered twice