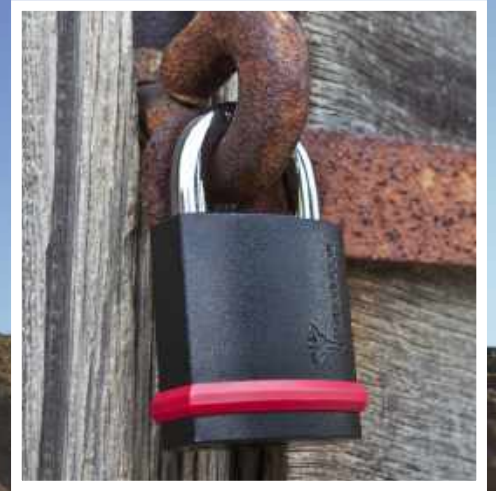


Padlock Brochure

ASSA ABLOY

Experience a safer
and more open world



The global leader in access solutions

ASSA ABLOY is the global leader in access solutions and a market leader in most of Africa, Europe, North America, South America, China and Oceania.

ASSA ABLOY was formed in 1994 through the merger of ASSA in Sweden and ABLOY in Finland. Since then ASSA ABLOY has grown from a regional company to an international group with 49,000 employees and annual sales of EUR 8.9 billion.

ASSA ABLOY is the global leader in access solutions and offers mechanical and

electromechanical locks, digital door locks, security doors, entrance automation, hotel security and secure identity solutions, primarily in identity and access management, as well as a number of other related products and services.

Using the latest technologies and tried-and-tested techniques, we are constantly developing innovative solutions that improve our customers' lives through greater security, safety and convenience.



Table of Contents

Padlock and Part number information.....	1
30mm Padlocks	2
40mm Padlocks	2
50mm Padlocks	3
60mm Padlocks	5
70mm Padlocks	5
78mm Insurance Padlocks	5
Nylon Padlocks (Modlocks).....	6
Discus Padlocks.....	9
Padlock Accessories	9
Mul-T-Lock G Series.....	10
Mul-T-Lock C Series	11
Mul-T-Lock NE Series	13
ABLOY Padlocks	15
Yale Padlocks	15



Padlock and part number information

Modlock & Laminated Padlock Colours

XX is used in the part numbers. Each modlock colour is inserted into the part number for ordering purposes. Substitute XX with the number that represents the colour of your choice.

Modlock colours:

46 - Black	50 - Green
47 - Red	52 - Orange
48 - Blue	53 - Brown
49 - Yellow	56 - White

Laminated Padlock colours:

46 - Black	53 - Brown
47 - Red	56 - White
48 - Blue	58 - Purple
49 - Yellow	54 - Lime Green
50 - Green	57 - Light Blue
52 - Orange	59 - Pink

Nylon Lockout Padlock

Colours are denoted by a suffix in the part number

BRN - Brown	PUP - Purple
YEL - Yellow	GRN - Green
BLU - Blue	WHT - White
RED - Red	SIL - Silver
BLK - Black	PNK - Pink
ORG - Orange	



Need marked padlocks for easy identification?

Padlocks can be ordered with special markings for identification under the part number 1500000S



Components

Mushroom springs
Mushroom Driver Pins
Closing Pin
2.5mm Master Pins
2.5mm Key Pins

Padlock Keying Options

ABC	- Cascading Master Key System
KD	- Keyed to differ
KA	- Keyed Alike
MKD	- Master Keyed
GMK	- Grand Master Keyed
PMU	- Partially Made Up

Keyway Profiles

Profiles can be chosen for master key and keyed alike systems. Where Y features in a part number, replace with profile number

0	- Standard profile V01
1	- UNION profile
033 or 035	- Alternative profile

Please note:

Extra keys are available on request.

Master keyed padlocks are supplied with 2 keys per padlock on new systems. Existing systems are supplied without keys. Additional keys can be supplied on provision of permission letter from the registered end user.

Padlocks

30mm Padlocks



30mm Padlock Hardened Steel Shackle

UN333000000000

30mm brass padlock with 15mm hardened steel shackle

Ideal for use on lockers

Not recommended for coastal use

Available as keyed to differ, keyed alike or partially made up



30mm Padlock Stainless Steel Shackle

UN333000000200

30mm brass padlock with 15mm stainless steel shackle

Corrosion resistant

Suitable for coastal environments

Available as keyed to differ, keyed alike or partially made up



30mm Padlock Hardened Steel Long Shackle

UN333002003200

30mm brass padlock with 32mm hardened steel shackle

Not recommended for coastal use

Available as keyed to differ, keyed alike or partially made up

40mm Padlocks



40mm Padlock Hardened Steel Shackle

UN334000000000

40mm brass padlock with 20mm hardened steel shackle

Ideal for use on tool boxes and trailers

Not recommended for coastal use

Available as keyed to differ, keyed alike, master keyed, ABC or partially made up

Padlocks

40mm Padlocks

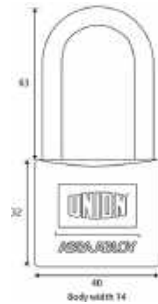


40mm Padlock Stainless Steel Shackle

UN334000000030

40mm brass padlock with 20mm stainless shackle
Ideal for use on tool boxes and trailers
Suitable for coastal use

Available as keyed to differ, keyed alike, master keyed, ABC or partially made up



40mm Padlock Hardened Steel Long Shackle

UN334002006300

40mm brass padlock with 63mm hardened steel shackle
Ideal for use on electrical panels

Available as keyed to differ, keyed alike, master keyed, ABC or partially made up

50mm Padlocks



50mm Padlock Hardened Steel Shackle

UN335000000000

50mm brass padlock with 28mm hardened steel shackle
Ideal for external gates, sheds and storerooms

Available as keyed to differ, keyed alike, master keyed, ABC or partially made up

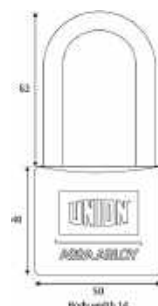


50mm Padlock Hardened Steel Shackle

UN335000000030

50mm brass padlock with 035 keyway and 28mm hardened steel shackle
Ideal for external gates, sheds and storerooms

Available as keyed to differ, keyed alike, master keyed, ABC or partially made up



50mm Padlock Hardened Steel Long Shackle

UN335002006300

50mm brass padlock with 63mm hardened steel shackle

Available as keyed to differ, keyed alike, master keyed, ABC or partially made up

Padlocks

50mm Padlocks



50mm Padlock Stainless Steel Shackle

UN335000000200

50mm brass padlock with 28mm stainless steel shackle

Ideal for use with a chain for added security

Available as keyed to differ, keyed alike, master keyed, ABC or partially made up



50mm 3122 Replacement Padlock

UN335000500210

50mm brass padlock with 6mmx28mm stainless steel shackle 3122 series

Can be master keyed with a cylinder profile

Suited for coastal use

6mm shackle diameter

Available as keyed to differ, keyed alike, master keyed, ABC or partially made up



50mm 3122 Replacement Padlock

UN335000000210

50mm brass padlock with 8mmx28mm stainless steel shackle 3122 series

Can be master keyed with a cylinder profile

Suited for coastal use

8mm shackle diameter

Available as keyed to differ, keyed alike, master keyed, ABC or partially made up



50mm Padlock Stainless Steel Shackle

UN335000000230

50mm brass padlock with 035 keyway and 28mm stainless steel shackle

Suitable for coastal use

Available as keyed to differ, keyed alike, master keyed, ABC or partially made up

Padlocks

60mm Padlocks



60mm Padlock Hardened Steel Shackle

UN336000000000

60mm brass padlock with 35mm hardened steel shackle

Ideal for trucks and containers

Available as keyed to differ, keyed alike, master keyed, ABC or partially made up

70mm Padlocks



70mm Padlock Hardened Steel Shackle

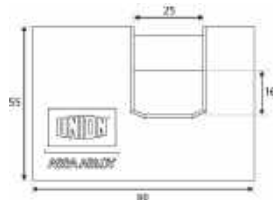
UN337000000000

70mm brass padlock with 42mm hardened steel shackle

Ideal for trucks and containers

Available as keyed to differ, keyed alike, master keyed, ABC or partially made up

78mm Insurance Padlocks



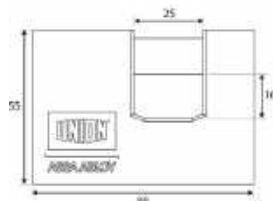
78mm Insurance Padlock

UN3845000XX2Y0

78mm insurance grade brass padlock with concealed hardened steel shackle
Ideal for roller shutter doors, gate motors and shop fronts

Better security due to limited access to shackle

Available as keyed to differ, keyed alike, master keyed or ABC



78mm Insurance Padlock

UN337800000030

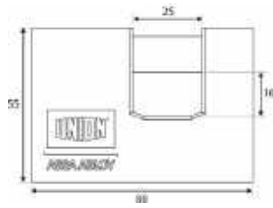
78mm insurance grade brass padlock with 035 concealed hardened steel shackle
Ideal for roller shutter doors, gate motors and shop fronts

Better security due to limited access to shackle

Available as keyed to differ, keyed alike, master keyed or ABC

Padlocks

78mm Insurance Padlocks

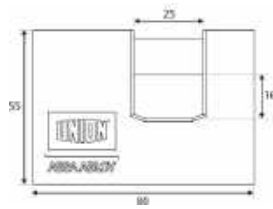


78mm Armoured Padlock

UN337800090000

78mm armoured brass padlock with concealed hardened steel shackle
Stainless steel armoured jacket for added security
Suitable for coastal use

Available as keyed to differ, keyed alike, master keyed or ABC



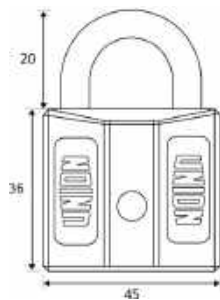
78mm Armoured Padlock

UN337800090030

78mm armoured brass padlock with 035 keyway
concealed hardened steel shackle
Stainless steel armoured jacket for added security
Suitable for coastal use

Available as keyed to differ, keyed alike, master keyed or ABC

Nylon Padlocks (Modlock)



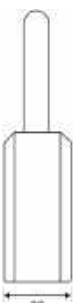
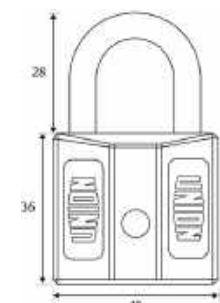
45mm Nylon Padlock

UN337800000000

45mm nylon padlock with 20mm 316 stainless steel shackle
Ideal for electrical environments (inside & outside)
fire-retardant nylon

Available as keyed to differ, keyed alike, master keyed or ABC

Colours available: purple, brown, yellow, blue, red, black, orange, lime green, white



45mm Nylon Padlock

UN3845008XX200

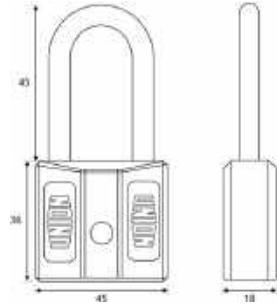
45mm nylon padlock with 28mm long 316 stainless steel shackle
Ideal for electrical environments (inside & outside)
fire-retardant nylon

Available as keyed to differ, keyed alike, master keyed or ABC

Colours available: purple, brown, yellow, blue, red, black, orange, lime green, white, green

Padlocks

Nylon Padlocks (Modlock)



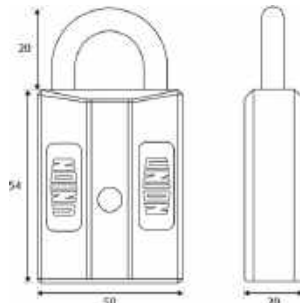
45mm Nylon Padlock

UN3845002XX2Y0

45mm nylon padlock with 40mm long 316 stainless steel shackle
Ideal for electrical environments (inside & outside)
fire-retardant nylon

Available as keyed to differ, keyed alike, master keyed or ABC

Colours available: purple, brown, yellow, blue, red, black, orange, lime green, white, green



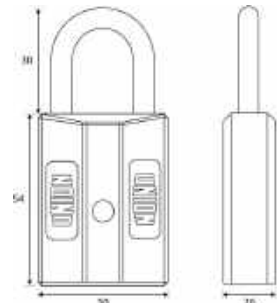
50mm Nylon Padlock

UN3850000XX2Y0

50mm nylon padlock with 20mm standard 316 stainless steel shackle
Higher security nylon padlock
Ideal for electrical environments (inside & outside)
fire-retardant nylon

Available as keyed to differ, keyed alike, master keyed or ABC

Colours available: brown, yellow, blue, red, black, orange, white, green



50mm Nylon Padlock

UN3850005XX2Y0

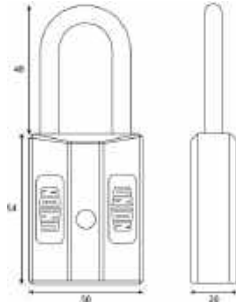
50mm nylon padlock with 30mm standard 316 stainless steel shackle
Higher security nylon padlock
Ideal for electrical environments (inside & outside)
fire-retardant nylon

Available as keyed to differ, keyed alike, master keyed or ABC

Colours available: brown, yellow, blue, red, black, orange, white, green

Padlocks

Nylon Padlocks (Modlock)



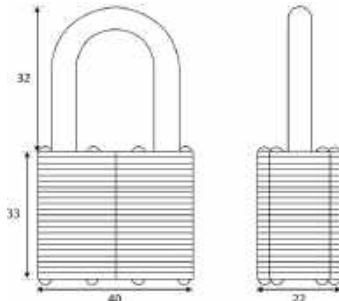
50mm Nylon Padlock

UN3850002XX2Y0

50mm nylon padlock with 48mm 316 standard stainless steel shackle
Higher security nylon padlock
Ideal for electrical environments (inside & outside)
fire-retardant nylon

Available as keyed to differ, keyed alike, master keyed or ABC

Colours available: brown, yellow, blue, red, black, orange, white, green



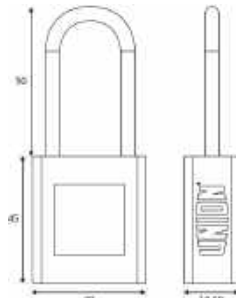
40mm Laminated Steel Padlock

UN3540008XX2Y0

40mm laminated steel padlock with 28mm 316 stainless steel shackle with waterproof plastic jacket and protective boot
Ball locking mechanism
Stronger and more secure

Available as keyed to differ, keyed alike, master keyed or ABC

Colours available: black, blue, yellow, green, orange and white, red



38mm Nylon Lockout Padlock

UN4044

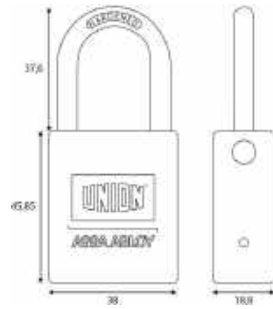
38mm nylon lockout padlock with 50mm long 316 stainless steel shackle
Key retaining
Used to lock-out machinery that is undergoing maintenance
6 pins offering better security due to more key differs

Available as keyed to differ, keyed alike, master keyed or ABC

Finish:
White, purple, red, brown, orange, black, yellow, green and blue

Padlocks

Nylon Padlocks (Modlock)



38mm Aluminium Lockout Padlock

UN5055

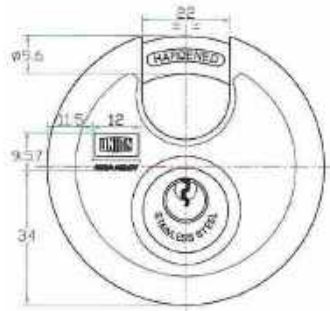
38mm Aluminium lockout padlock with 32mm long hardened steel shackle
Used to lock-out machinery that is undergoing maintenance
Can be used in high heat environments
6 pins offering better security due to more key differs

Available as keyed to differ, keyed alike, master keyed or ABC

Finish:

Red, brown, black, yellow, blue, pink, purple, green, silver and orange

Discus Padlocks

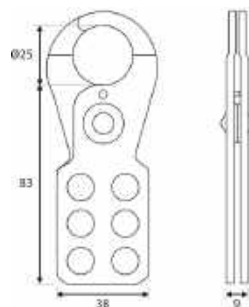


Discus Padlock

400KA

Closed stainless steel shackle padlock for security application
Stainless steel body
Hardened steel shackle
5 pin tumbler
Snap Locking
Key to lock, key to unlock
Shackle spring loaded
Shackle retained on open

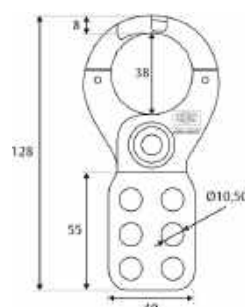
Padlock Accessories



Lockout Hasp

LX1964

Padlock locking plate with 6 individual locking holes 25mm
Used with UN4044 & UN5055



Lockout Hasp

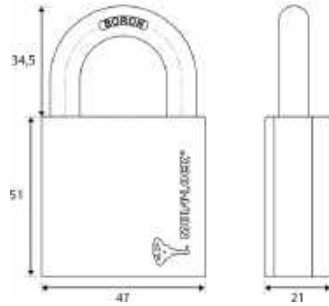
LX1964-38UN

Padlock locking plate with 6 individual locking holes 38mm
Added lip on jaws to prevent forced opening

Red cover

Padlocks

Mul-T-Lock G-Series

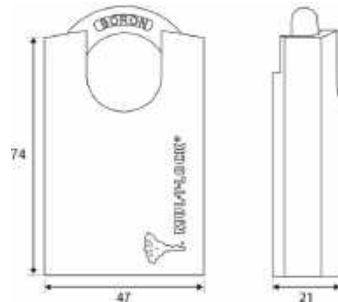


47mm Padlock with 8mm Boron Shackle

MG47-7
MG47I
MG47C

47mm padlock with 8mm boron shackle and brass body nickel plated
Boron shackle offers higher level of security
Available in either patented or non-patented platforms

Available as standard, keyed alike, master keyed and grand master keyed
Platforms: Classic, Interactive & 7x7
Patented platforms: Interactive

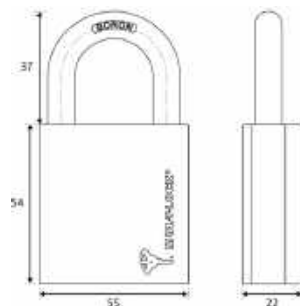


47mm Padlock with 8mm Boron Shackle

MG47P-7
MG47PI
MG47PC

47mm padlock with 8mm protected boron shackle and brass body nickel plated
Protected shackle makes it harder to access shackle
Boron shackle offers higher level of security
Available in either patented or non-patented platforms

Available as standard, keyed alike, master keyed and grand master keyed
Platforms: Classic, Interactive & 7x7
Patented platforms: Interactive



55mm Padlock with Boron Shackle

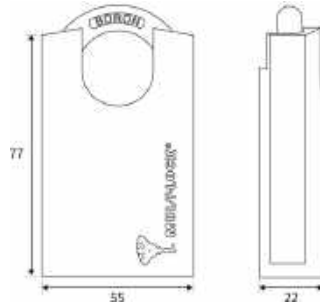
MG55-7
MG55I
MG55C

55mm padlock with 8mm boron shackle and brass body nickel plated
Boron shackle offers higher level of security
Available in either patented or non-patented platforms

Available as standard, keyed alike, master keyed and grand master keyed
Platforms: Classic, Interactive & 7x7
Patented platforms: Interactive

Padlocks

Mul-T-Lock G-Series



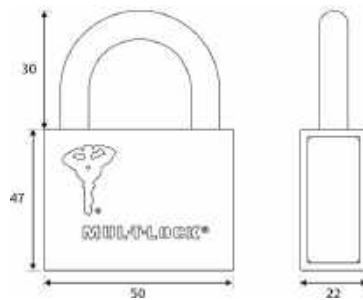
55mm Padlock with Boron Shackle

MG55P-7
MG55PI
MG55PC

55mm padlock with 8mm protected boron shackle and brass body nickel plated
Protected shackle makes it harder to access shackle
Boron shackle offers higher level of security
Available in either patented or non-patented platforms

Available as standard, keyed alike, master keyed and grand master keyed
Platforms: Classic, Interactive & 7x7
Patented platforms: Interactive

Mul-T-Lock C-Series

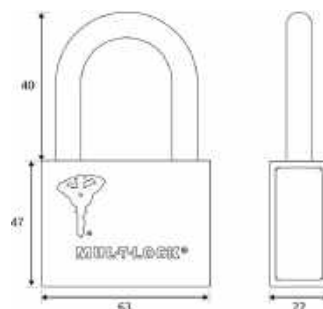


50mm Padlock with 8mm Hardened Steel Shackle

MC8
MC8I

50mm padlock with 8mm hardened steel shackle and hardened steel body
High security padlock

Available as standard, keyed alike, master keyed and grand master keyed
Platforms: Interactive & Classic
Patented Platforms: Interactive



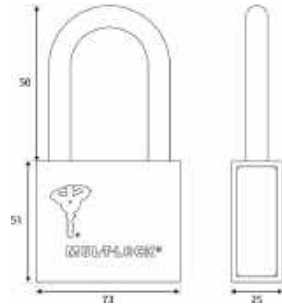
63mm Padlock with 10mm Hardened Steel Shackle

MC10
MC10I

63mm padlock with 10mm hardened steel shackle and hardened steel body
High security padlock

Available as standard, keyed alike, master keyed and grand master keyed
Platforms: Interactive & Classic
Patented Platforms: Interactive

Padlocks
Mul-T-Lock C-Series

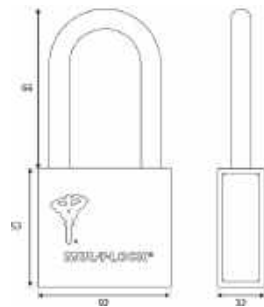


73mm Padlock with 13mm Hardened Steel

MC13
 MC13I

73mm padlock with 13mm hardened steel shackle and hardened steel body
 High security padlock

Available as standard, keyed alike, master keyed and grand master keyed
 Platforms: Interactive & Classic
 Patented Platforms: Interactive



92mm Padlock with 16mm Hardened Steel

MC16
 MC16I

92mm padlock with 16mm hardened steel shackle and hardened steel body
 High security padlock

Available as standard, keyed alike, master keyed and grand master keyed
 Platforms: Interactive & Classic
 Patented Platforms: Interactive

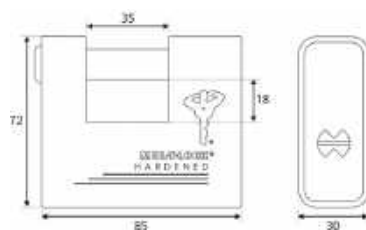


92mm Padlock with 16mm Hardened Steel

MC16
 MC16I

92mm padlock with 16mm hardened steel shackle and hardened steel body
 High security padlock

Available as standard, keyed alike, master keyed and grand master keyed
 Platforms: Interactive & Classic
 Patented Platforms: Interactive



52mm Padlock with 13mm Hardened Steel

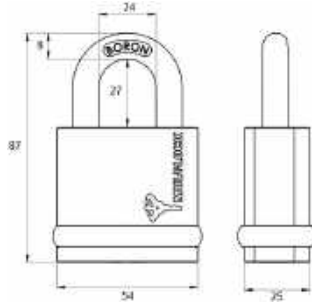
MC35
 MC35I

52mm padlock with 13mm steel shackle and hardened steel body
 High security padlock Ideal for use on shutter doors

Available as standard, keyed alike, master keyed and grand master keyed
 Platforms: Interactive & Classic
 Patented Platforms: Interactive

Padlocks

Mul-T-Lock NE-Series

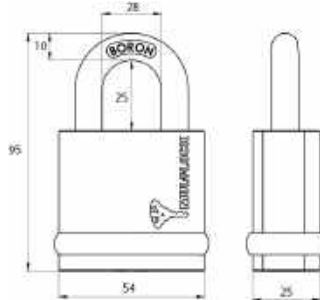


54mm Padlock with 8mm hardened boron shackle

MNE-8GI

54mm padlock with 8mm hardened boron shackle
High security padlock for general use
Key retaining

Available as standard, keyed alike, master keyed and grand master keyed
Patented platform: Interactive

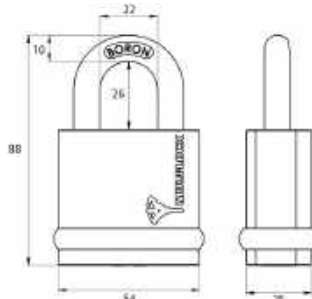


54mm Padlock with 10mm hardened boron shackle

MNE-10LI

*54mm padlock with 10mm hardened boron shackle
High security padlock for general use with protective shutter preventing dust build-up
Key retaining

Available as standard, keyed alike, master keyed and grand master keyed
Patented platform: Interactive

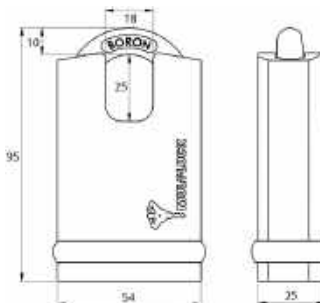


54mm Padlock with 10mm hardened boron shackle

MNE-10GI

54mm padlock with 10mm hardened boron shackle
High security padlock for general use
Key retaining

Available as standard, keyed alike, master keyed and grand master keyed
Patented platform: Interactive



54mm Padlock with 10mm protected hardened boron shackle

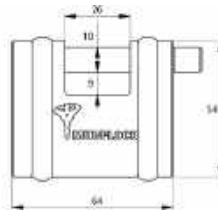
MNE-10HI

54mm padlock with 10mm protected hardened boron shackle
High security padlock with protected shackle making it difficult to tamper with shackle
Key retaining

Available as standard, keyed alike, master keyed and grand master keyed
Patented platform: Interactive

Padlocks

Mul-T-Lock NE-Series



64mm Sliding Bolt Padlock with 10mm hardened boron shackle

MSB-10GI

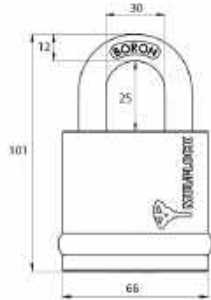
64mm Sliding bolt padlock with 10mm hardened boron shackle

High security padlock for use on shutter doors

Key retaining

Available as standard, keyed alike, master keyed and grand master keyed

Patented platform: Interactive



66mm Padlock with 12mm hardened boron shackle

MNE-12LI

66mm Padlock with 12mm hardened boron shackle

High security padlock with protective shutter preventing dust build-up

Key retaining

Available as standard, keyed alike, master keyed and grand master keyed

Patented platform: Interactive



66mm Padlock with 12mm protected hardened boron shackle

MNE-12HI

66mm Padlock with 12mm protected hardened boron shackle

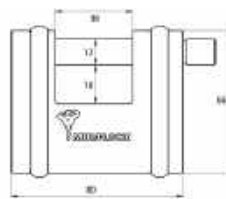
High security padlock with protected shackle making it difficult to tamper with shackle

Protective shutter prevents dust build-up

Key retaining

Available as standard, keyed alike, master keyed and grand master keyed

Patented platform: Interactive



80mm Sliding Bolt Padlock with 12mm hardened boron shackle

MSB-12GI

80mm Sliding bolt padlock with 12mm hardened boron shackle

High security padlock for use on shutter doors with protective shutter preventing dust build-up

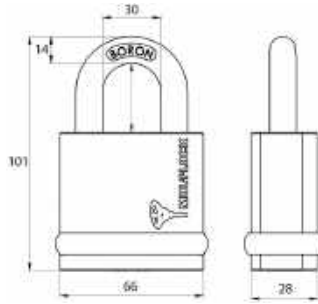
Key retaining

Available as standard, keyed alike, master keyed and grand master keyed

Patented platform: Interactive

Padlocks

Mul-T-Lock NE-Series



66mm Padlock with 14mm hardened boron shackle

MNE-14LI

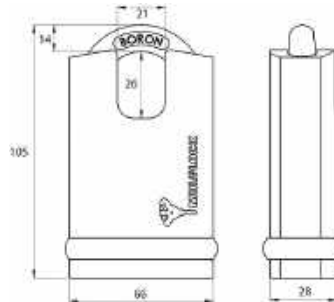
66mm Padlock with 14mm hardened boron shackle

High security padlock with protective shutter preventing dust build-up

Key retaining

Available as standard, keyed alike, master keyed and grand master keyed

Patented platform: Interactive



66mm Padlock with 14mm protected hardened boron shackle

MNE-12HI

66mm Padlock with 14mm protected hardened boron shackle

High security padlock with protected shackle making it difficult to tamper with shackle

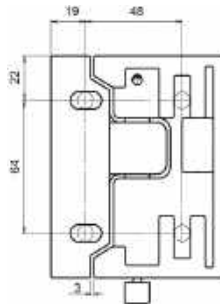
Protective shutter prevents dust build-up

Key retaining

Available as standard, keyed alike, master keyed and grand master keyed

Patented platform: Interactive

Mul-T-Lock Hasp Lock



Hasp Lock

M51232716

Padlock and hasp in one unit

Prevents loss of padlock

Key retaining / non-retaining

Dust cover

Drill protection

Welded or bolted

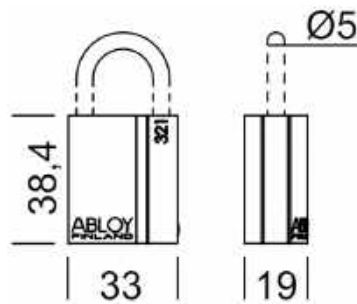
Material:

Body: hardened steel investment casting

Bolt: 13 mm, hardened, and non-removable

Patented platform: Interactive

ABLOY Padlocks



PL321

A strong padlock for storage doors, gates and windows and trailers

Body Material: Brass

Shackle Material: Stainless Steel

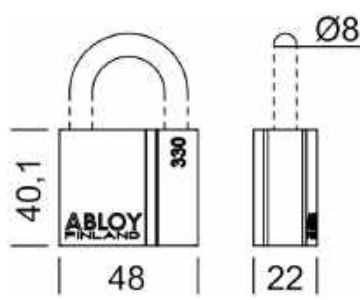
Available as standard, keyed alike, master keyed and grand master keyed

Available in Protec2 and Sentry platforms

Patented platforms: Protec2 and Sentry

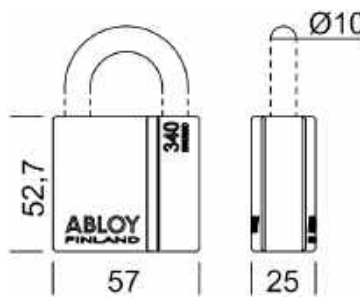
Padlocks

ABLOY Padlocks



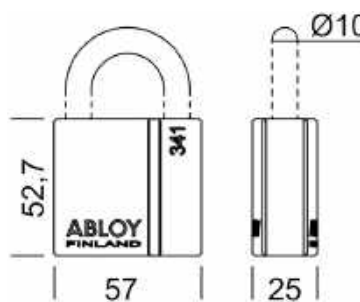
PL330

All purpose padlock of durable construction for storage doors, motorcycles, gates, trailers, power station switches and similar applications.
 Body Material: Brass
 Shackle Material: Stainless Steel
 Available as standard, keyed alike, master keyed and grand master keyed
 Available in Protec2, Sentry, and Novel platforms
 Patented platforms: Protec2, Sentry and Novel



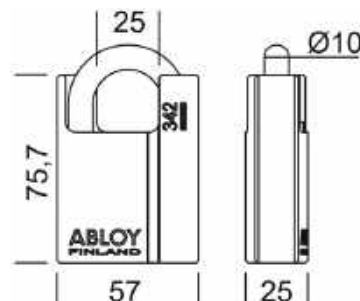
PL340

Extra-strong padlocks for applications where high security is required
 Ideal for construction equipment, tractor trailers and remote storage areas, trucks, storage bins, roller shutter doors, motorcycles and warehouses.
 Body Material: Case-hardened steel
 Shackle Material: Case-hardened boron steel
 Available as standard, keyed alike, master keyed and grand master keyed
 Available in Protec2, Sentry, and Novel platforms
 Patented platforms: Protec2, Sentry and Novel



PL341

Strong padlock for the doors, windows and gates of storage facilities, trailers, protective bars, storage lockers
 Body Material: Brass
 Shackle Material: Case-hardened boron steel
 Available as standard, keyed alike, master keyed and grand master keyed
 Available in Protec2 and Sentry platforms
 Patented platforms: Protec2 and Sentry

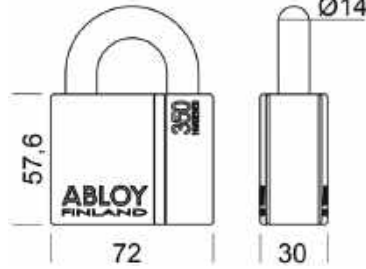


PL342

For applications where maximum security is required
 Raised shoulders and a top loaded cylinder provide the highest level of security and protection
 Typical applications include containers, railway wagons, trucks, heavy sliding doors and military uses
 Body Material: Case-hardened steel
 Shackle Material: Case-hardened boron steel
 Available as standard, keyed alike, master keyed and grand master keyed
 Available in Protec2 and Sentry platforms
 Patented platforms: Protec2 and Sentry

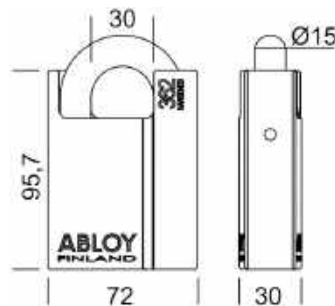
Padlocks

ABLOY Padlocks



PL350

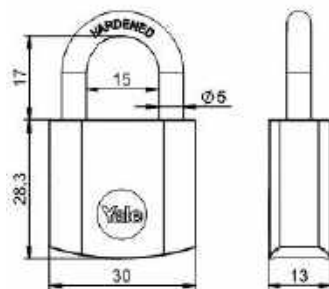
Extra-strong padlocks for applications where high security is required
Ideal for construction equipment, tractor trailers and remote storage areas, trucks, storage bins, roller shutter doors, motorcycles and warehouses.
Body Material: Case-hardened steel
Shackle Material: Case-hardened boron steel
Available as standard, keyed alike, master keyed and grand master keyed
Available in Protec2, Sentry, and Novel platforms
Patented platforms: Protec2, Sentry and Novel



PL362

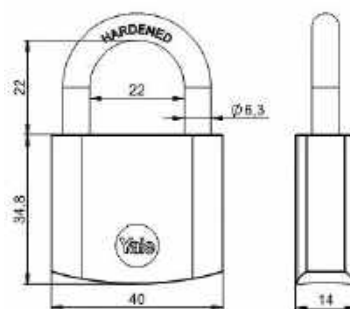
For applications where maximum security is required
Raised shoulders and a top loaded cylinder provide the highest level of security and protection
Typical applications include containers, railway wagons, trucks, heavy sliding doors and military uses
Body Material: Case-hardened steel
Shackle Material: Case-hardened boron steel
Available as standard, keyed alike, master keyed and grand master keyed
Available in Protec2 and Sentry platforms
Patented platforms: Protec2 and Sentry

Yale Padlocks



Y110B/30/115/1

30mm Padlock
Supplied with 3 keys
Hardened steel shackle Ø 5.2mm
Solid Brass body
Suitable for basic security applications and indoor use
Tested to 96 hours for corrosion resistance & 10 000 opening/closing cycles
4 pin cylinder

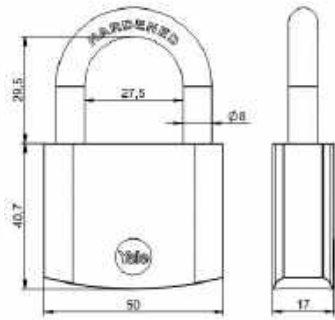


Y110B/40/122/1

40mm Padlock
Supplied with 3 keys
Hardened steel shackle Ø 6.3mm
Double locking Solid Brass body
Suitable for basic security applications and indoor use
Tested to 96 hours for corrosion resistance & 10 000 opening/closing cycles
5 pin cylinder

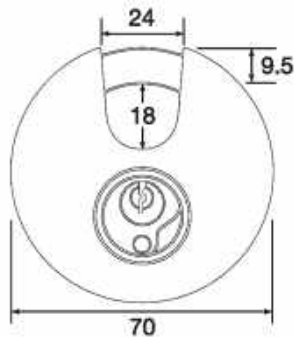
Padlocks

Yale Padlocks



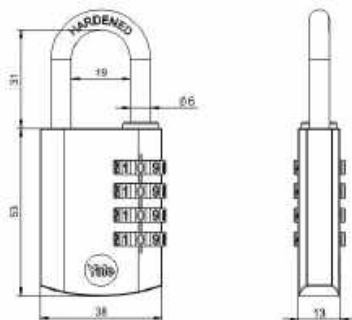
Y110B/50/126/1

50mm Padlock
 Supplied with 3 keys
 Hardened steel shackle Ø 8mm
 Double locking
 Solid Brass body
 Suitable for basic security applications and indoor use
 Tested to 96 hours for corrosion resistance &
 10 000 opening/closing cycles
 5 pin cylinder



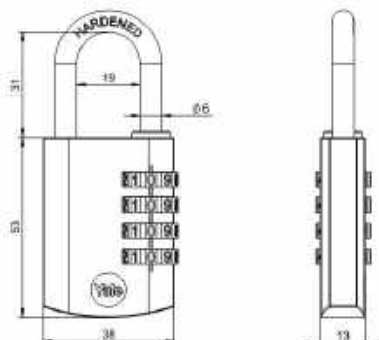
YE130/70/165/1

70mm Discus Padlock
 Anti-cut, chrome plated
 Hardened steel shackle
 Spring loaded keyhole cover
 Tested to 96 hours for corrosion resistance
 Suitable for standard security application and outdoor use



YE3CB/38/131/1/S

38mm aluminium combination padlock
 Solid aluminum body
 Resettable 4-dial combination - 10 000 combinations to choose from
 Chrome plated steel shackle Ø 6mm
 Tested to 48 hours for corrosion resistance
 Suitable for basic security applications and indoor use

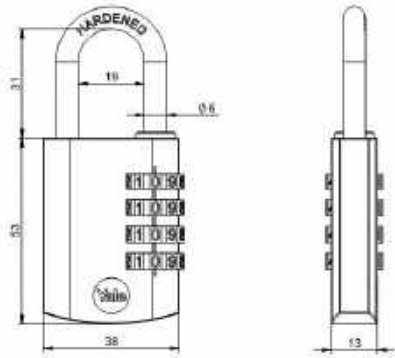


YE3CB/38/131/1/BK

38mm aluminium combination padlock
 Solid aluminum body
 Resettable 4-dial combination - 10 000 combinations to choose from
 Chrome plated steel shackle Ø 6mm
 Tested to 48 hours for corrosion resistance
 Suitable for basic security applications and indoor use

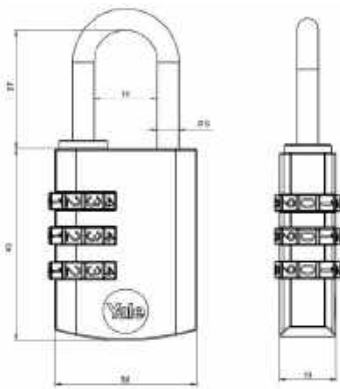
Padlocks

Yale Padlocks



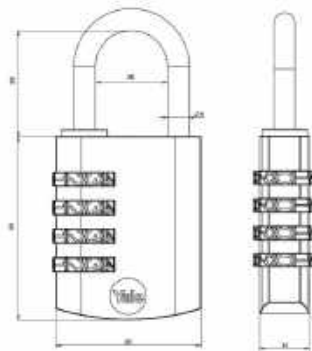
YE3CB/38/131/1/CO

38mm aluminium combination padlock
 Solid aluminum body
 Resettable 4-dial combination - 10 000 combinations to choose from
 Chrome plated steel shackle Ø 6mm
 Tested to 48 hours for corrosion resistance
 Suitable for basic security applications and indoor use



Y150B/30/125/1

30mm combination padlock
 Solid brass body
 Resettable 3-dial combination - 1 000 combinations to choose from
 Chrome plated steel shackle Ø 5mm
 Tested to 48 hours for corrosion resistance
 Suitable for basic security applications and indoor use



Y150B/40/130/1

40mm combination padlock
 Solid brass body
 Resettable 4-dial combination - 10 000 combinations to choose from
 Chrome plated steel shackle Ø 6mm
 Tested to 48 hours for corrosion resistance
 Suitable for basic security applications and indoor use

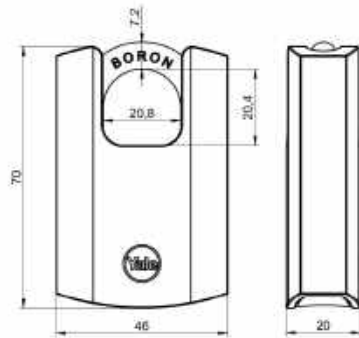


Y879/55/130/1

8mm hardened steel shackle
 Protective covering made of ABS material
 Resettable 4-dial combination
 Suitable for standard security application and outdoor use

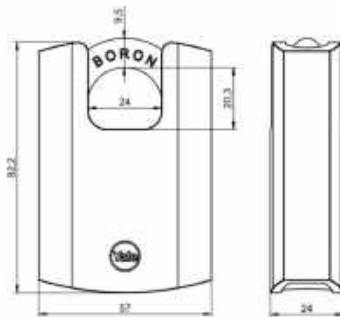
Padlocks

Yale Padlocks



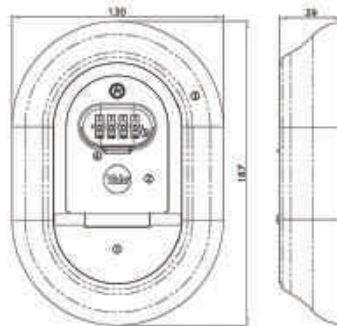
Y121B/40/125/1

40mm padlock
Supplied with 3 keys
Boron shackle Ø 7mm | Closed shackle body construction
Solid brass body with black protective bumper/body
Tested to 96 hours for corrosion resistance & 10 000 opening/closing cycles
Suitable for high security applications and outdoor use
5 pin cylinder
Tested to EN12320:2012
CEN Rating: 2



Y121B/50/132/1

50mm padlock
Supplied with 3 keys
Boron shackle Ø 9.5mm | Closed shackle body construction
Solid brass body with black protective bumper/body
Tested to 96 hours for corrosion resistance & 10 000 opening/closing cycles
Suitable for high security applications and outdoor use
5 pin cylinder
Tested to EN12320:2012
CEN Rating: 2



Y500/187/1

Combination Key Access Box
Strong Die-Cast Body
Weather resistant case
Suitable for outdoor use
Ideal storage of perimeter keys for family or response companies
Resettable 4-dial combination
Concealed fixings for maximum security

The ASSA ABLOY Group is the global leader in access solutions. Every day we help people feel safe, secure and experience a more open world.

ASSA ABLOY

ASSA ABLOY SA (PTY) LTD
9 Nickel Road
Technikon
South Africa
1725
+27 11 761 5000
za.info@assaabloy.com
www.assaabloy.co.za